

Green Willow Accent Lamp

Item#:LPAS-457-01

Height:19-7/8"

Width:12-1/2"

Base:6-1/4"Round

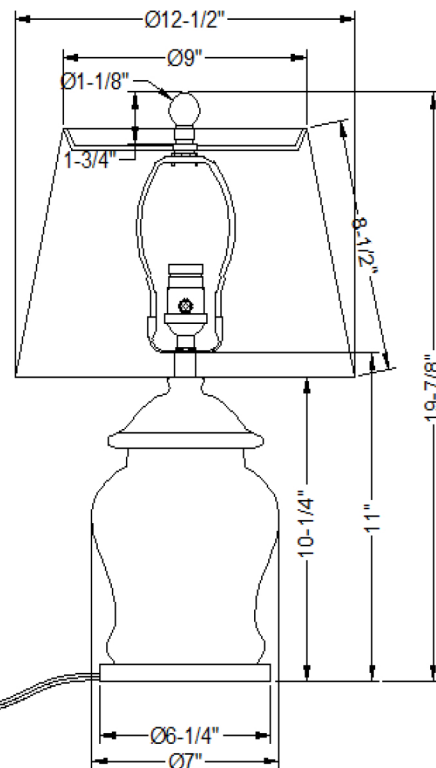
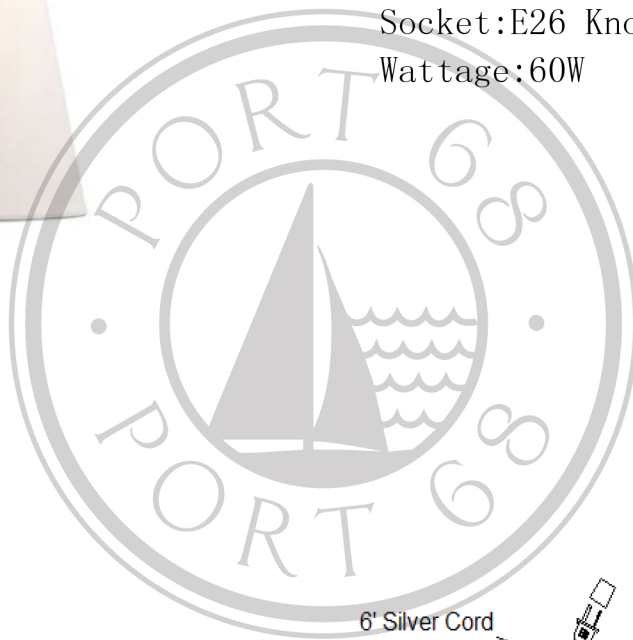
Finial:1-1/8"Dia*1-3/4"H

Finish:Green

Shade Details:9"*12-1/2"*8-1/2"

Socket:E26 Knobs Socket 2-WAY

Wattage:60W



6' Silver Cord
From Plug To
Base



All Port 68 designs are copyrighted. All rights reserved