

# SPEC SHEET

## Lotus Cream Lamp

ITEM#:LPAS-455-01

Height: 31.25"

Width: 19"

Base:  $\phi 9" \times 0.5"H$

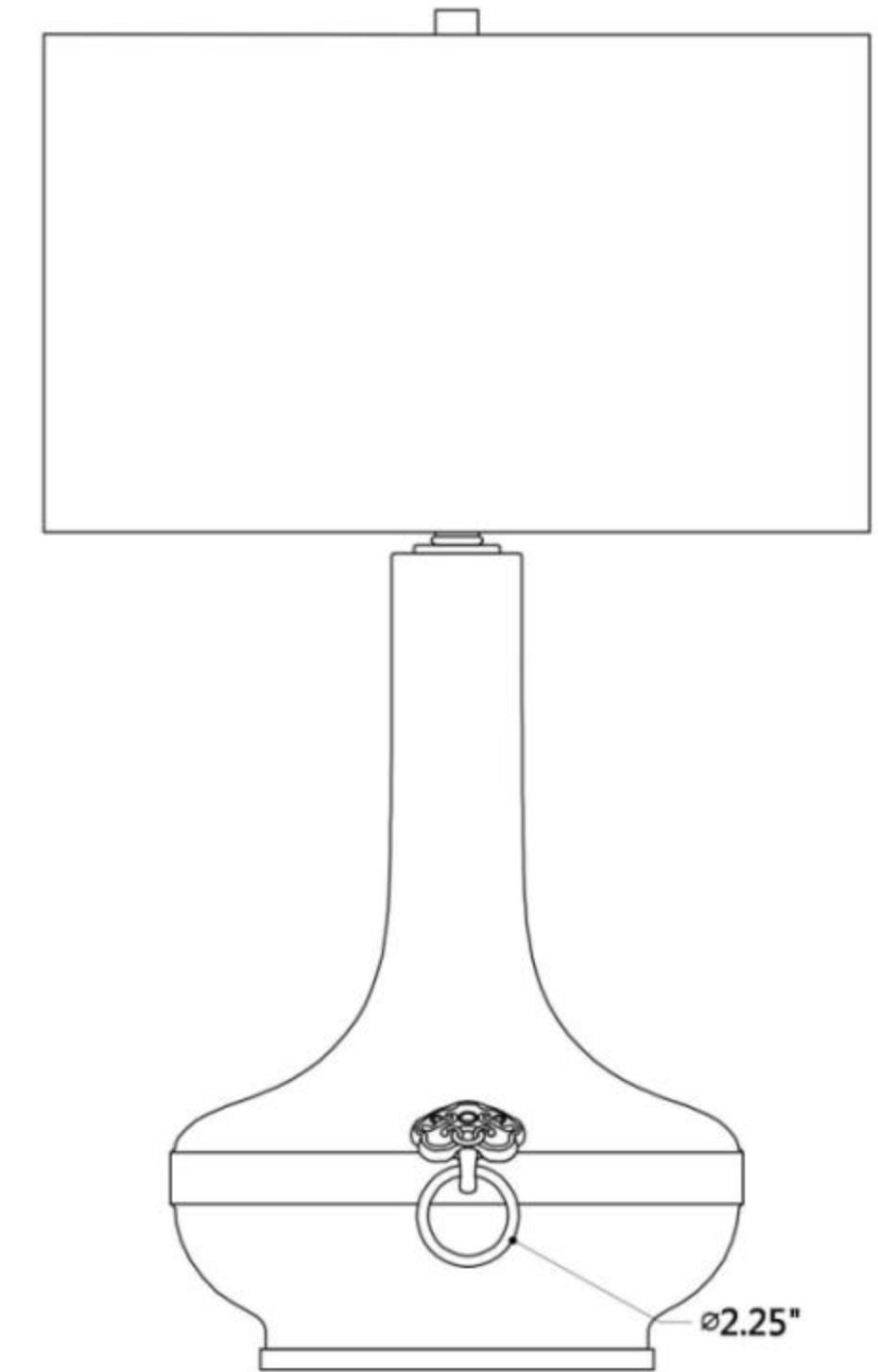
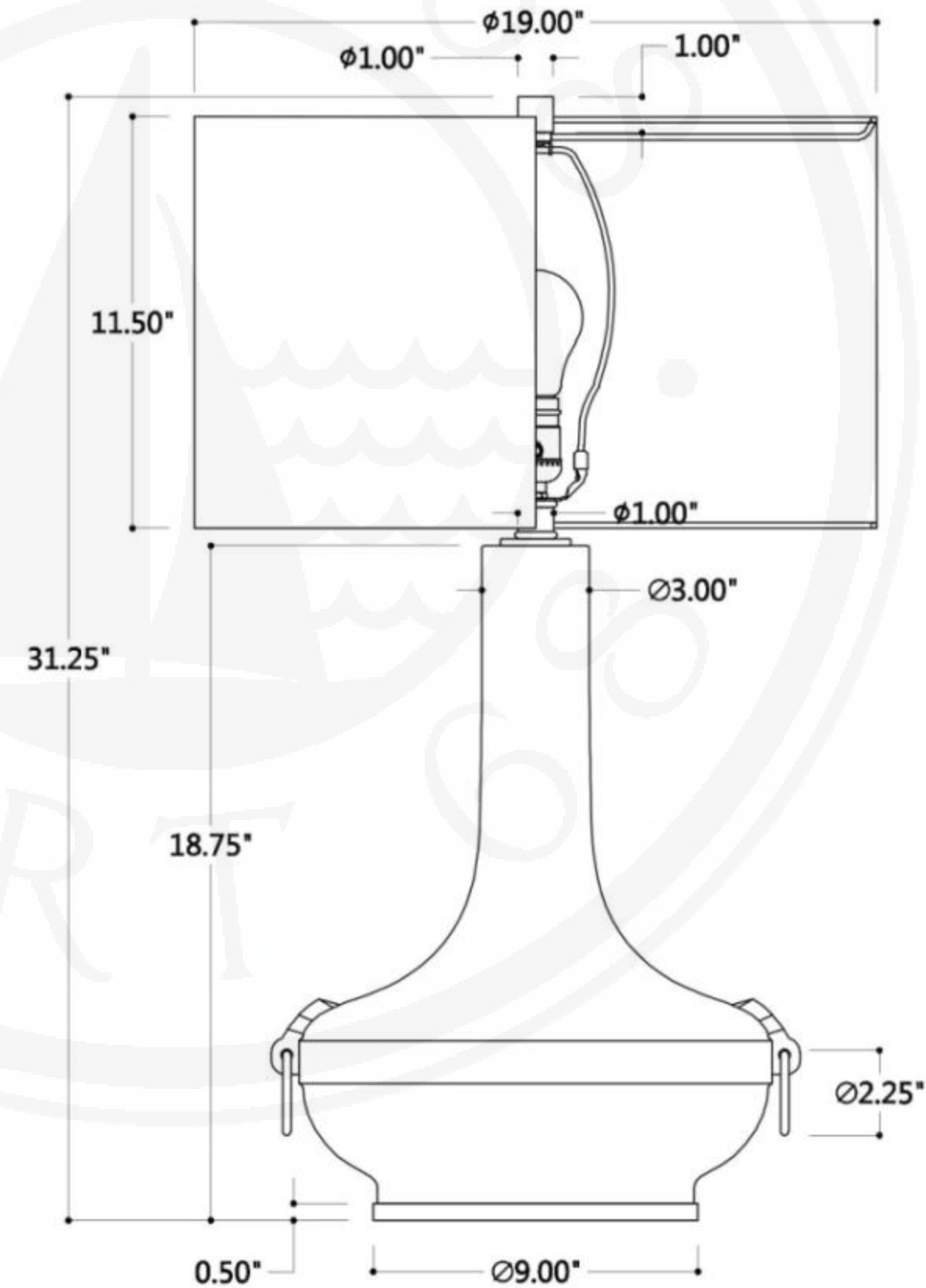
Finial:  $\phi 1" \times 1"H$

Finish: Aged Brass

Shade Details:  $\phi 19" \times 19" \times 11.5"H$

Socket: E26 Knobs Socket 3-WAY

Wattage: 150w



All Port 68 designs are copyrighted. All rights reserved.