

# MING INDIGO LARGE JAR

Ming Indigo Large Jar

Items # ACAS-458-02

size : 23"H x 12"W x 12"D

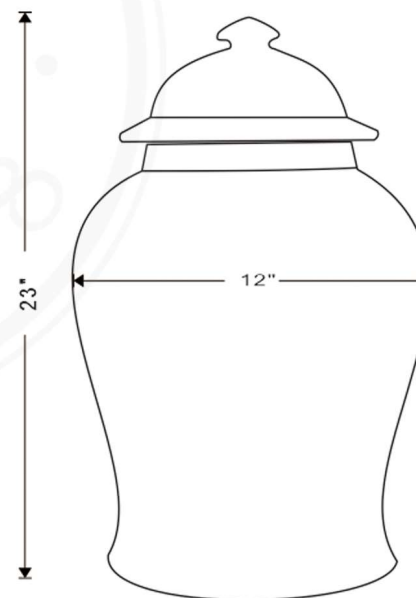
Materials: porcelain

Shipping Package: 16.5 x 16.5x 28.5 inch

Box : 1 pc

Net weight lbs: 17.6

Gross weight lbs. 22.0



**All Port 68 designs are copyrighted. All rights reserved.**